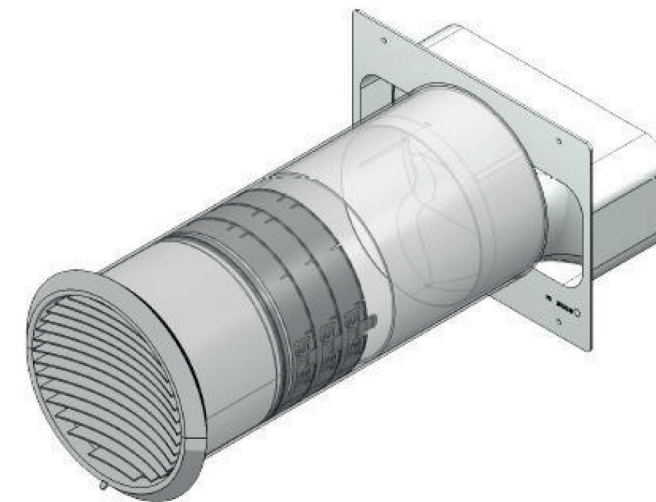
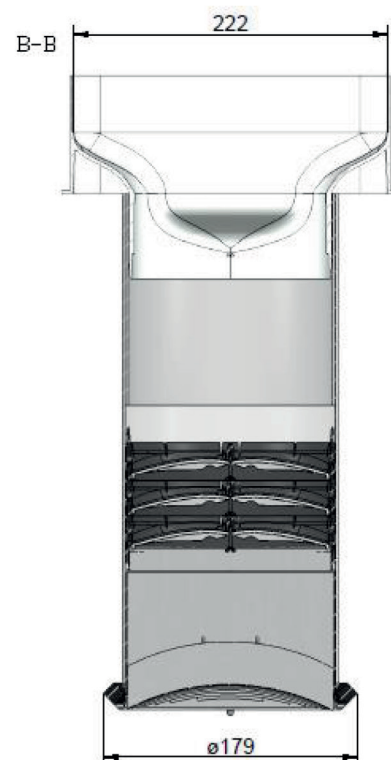
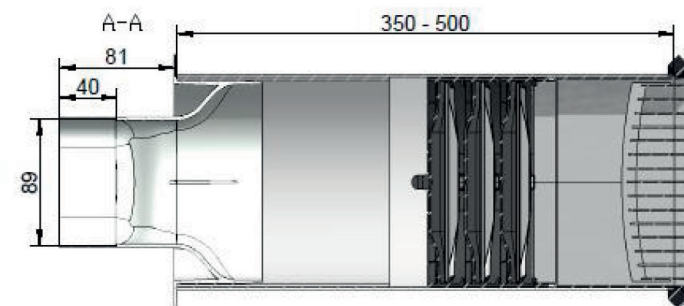
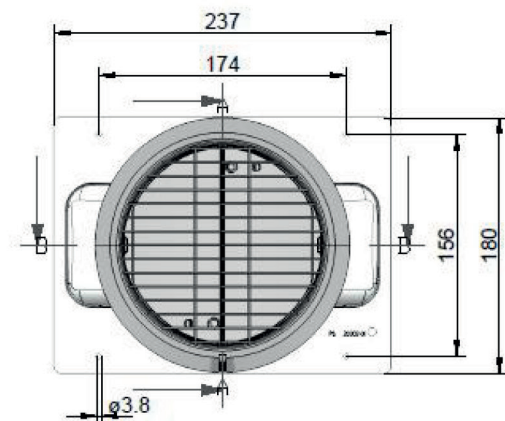


# Wall conduct kit



- 906.425
- Wall conduct kit for flat exhaust duct 89x222 mm
- With telescopic pipe
- Installation depth: 350 – 500 mm
- External blind Ø: 180 mm
- Wall penetration Ø: ca. 155 mm